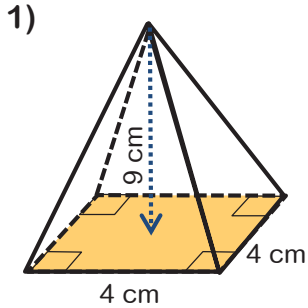


Volume of Pyramids, Cones and Spheres

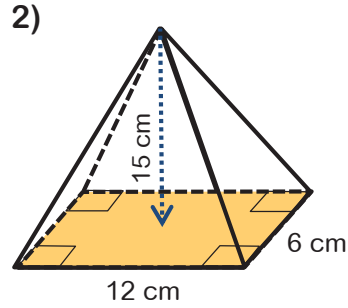


NOT TO SCALE

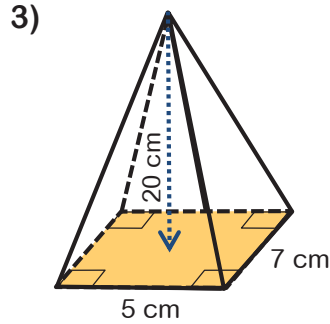
Calculate the volume of the pyramids, cones and spheres.
Leave answers to 2 decimal places where necessary.



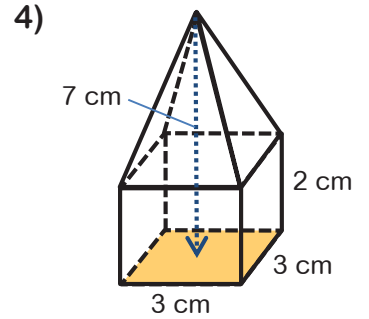
Volume =



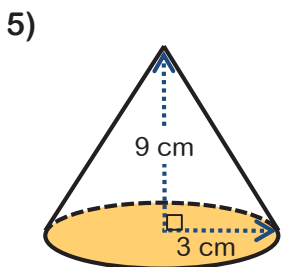
Volume =



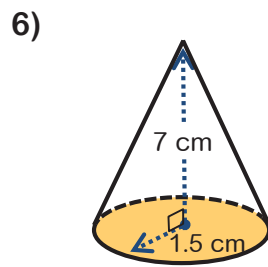
Volume =



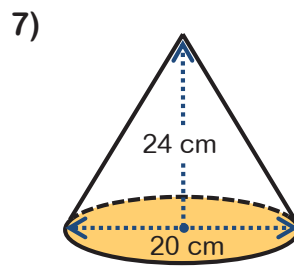
Volume =



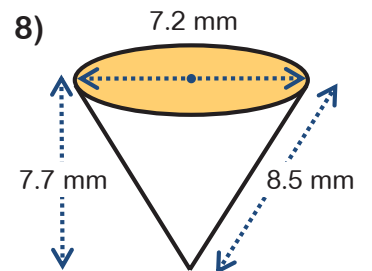
Volume =



Volume =



Volume =

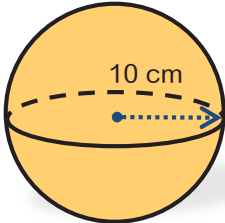


Volume =

Volume of Pyramids, Cones and Spheres

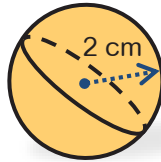


9)



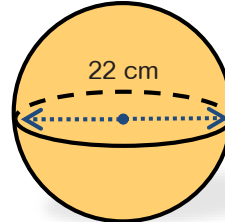
Volume =

10)



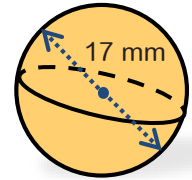
Volume =

11)



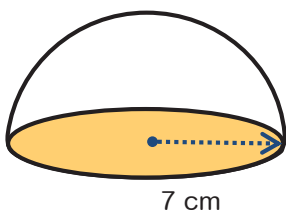
Volume =

12)



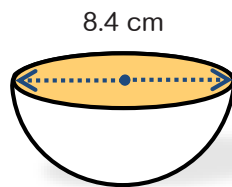
Volume =

13)



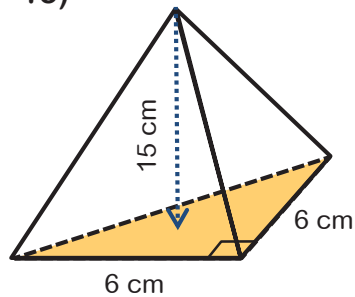
Volume =

14)



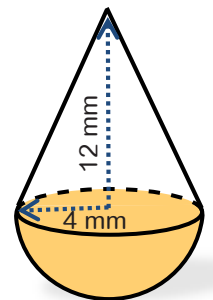
Volume =

15)



Volume =

16)



Volume =