

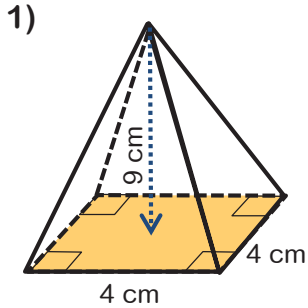
Volume of Pyramids, Cones and Spheres

ANSWERS



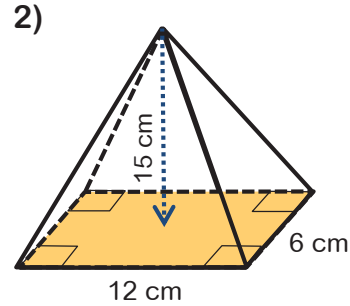
NOT TO SCALE

Calculate the volume of the pyramids, cones and spheres.
Leave answers to 2 decimal places where necessary.



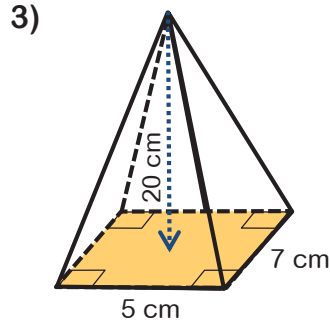
Volume =

48 cm³



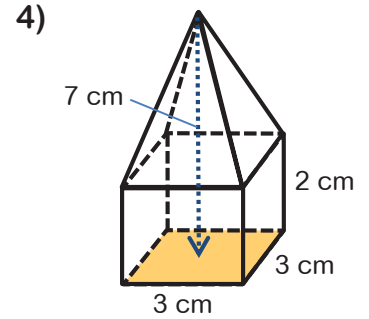
Volume =

360 cm³



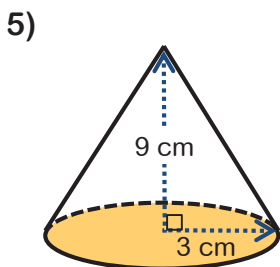
Volume =

233.33 cm³



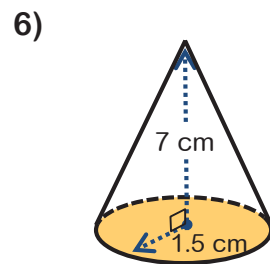
Volume =

33 cm³



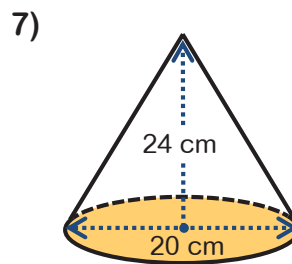
Volume =

84.82 cm³



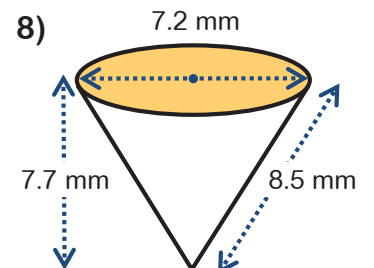
Volume =

16.49 cm³



Volume =

2513.27 cm³



Volume =

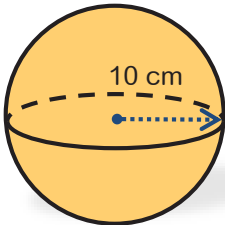
104.50 mm³

Volume of Pyramids, Cones and Spheres

ANSWERS



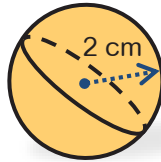
9)



Volume =

4188.79 cm³

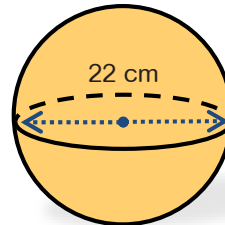
10)



Volume =

33.51 cm³

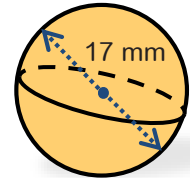
11)



Volume =

5575.28 cm³

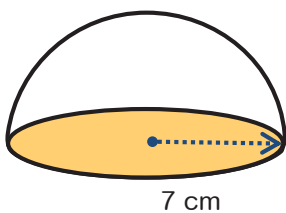
12)



Volume =

2572.44 mm³

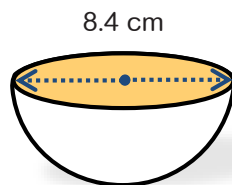
13)



Volume =

718.38 cm³

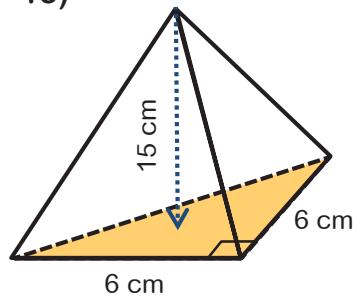
14)



Volume =

155.17 cm³

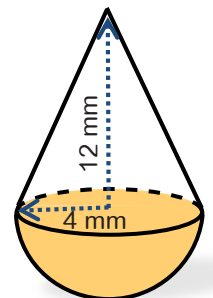
15)



Volume =

90 cm³

16)



Volume =

335.10 mm³