

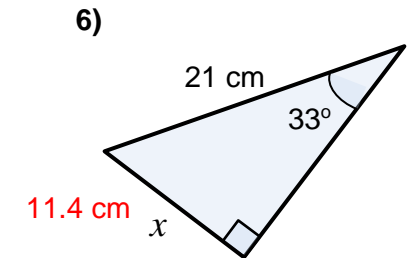
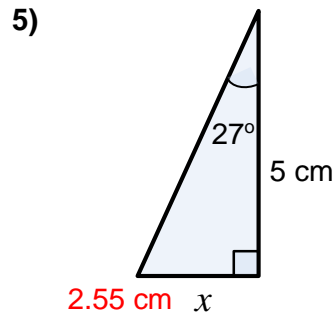
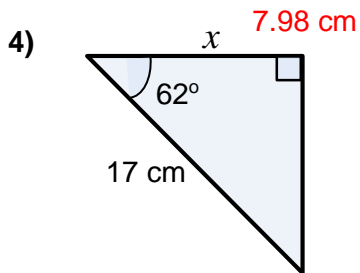
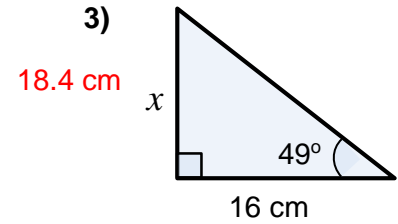
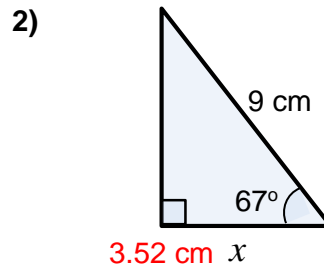
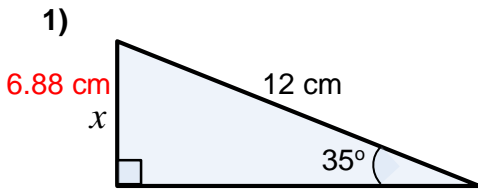
Trigonometry (A)

Missing Lengths

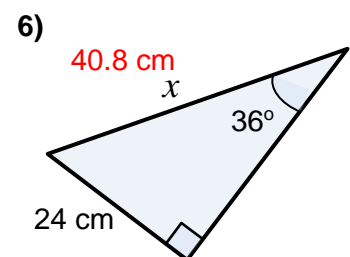
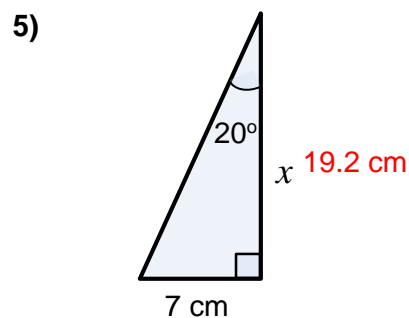
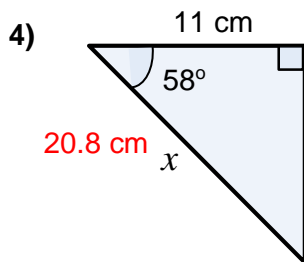
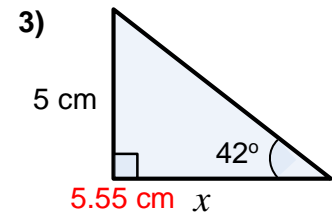
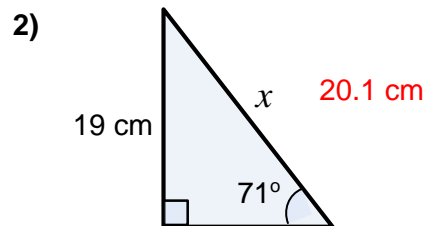
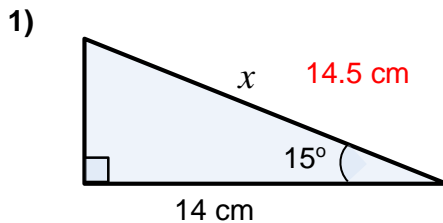


ANSWERS

Section A



Section B



Section C

Find the area of the following shapes.

